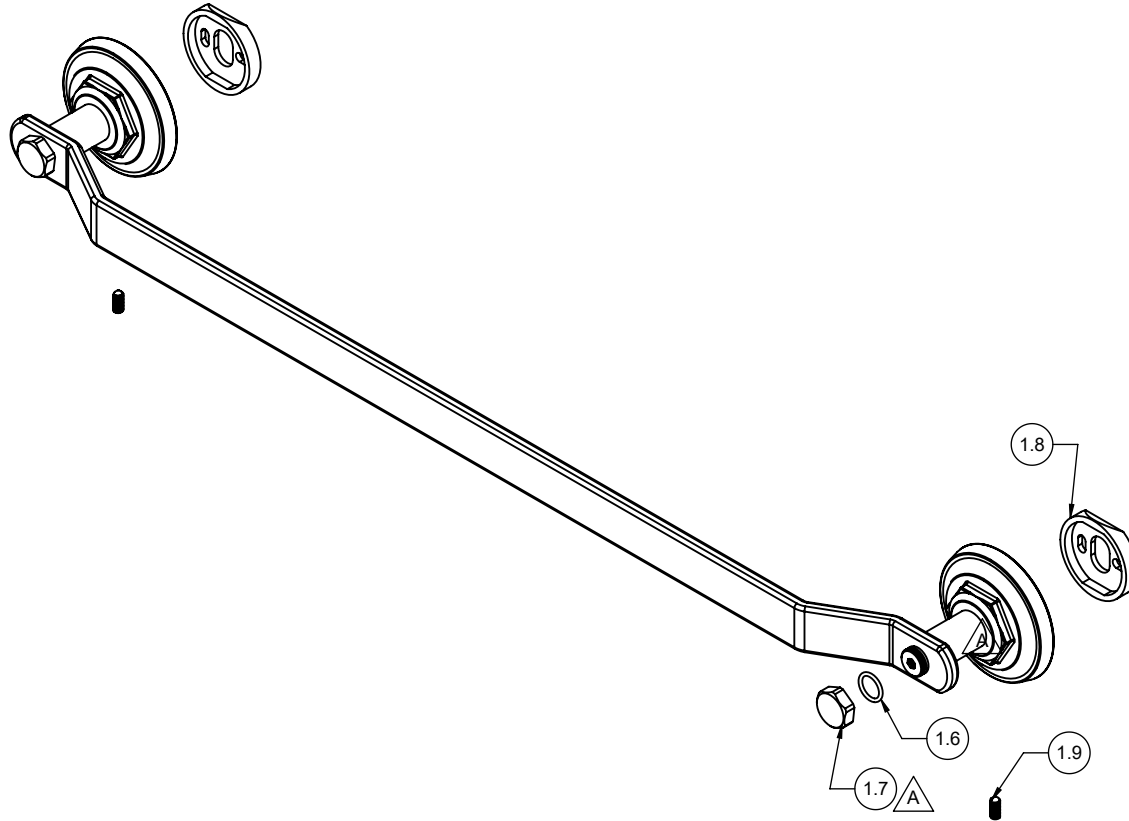


△ REQUIRES ITEM 1.6

80-18
80-24



To order spare parts add and/or replace as stated below:

SPD- prefix added to part number(s)

-ZZ replaced with finish code (see finish table)

-WW replaced with **-90** (light finish) or **-96** (dark finish)

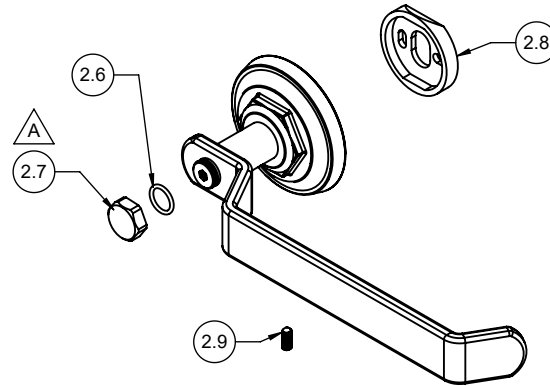
Ex: **SPD-7-100463-PC** or **SPD-86030-96**

ITEM	PART NO	DESCRIPTION	QTY.
1.6	87320-80	O-RING Ø10.00 X 1.50 (NA) BUNA-N A70	2
1.7	11265-ZZ	HEX, BALL VALVE DECORATIVE	2
1.8	880367-97	WALL MOUNT, Ø37 W/2 BEVELS, ACC	2
1.9	86230-90	SETSCREW M4X0.7 X 10MM SCKT HD CONE PT SS	2
1.10	882811-99	SCREW, FH, PH SHEET METAL, 8 X 1-1/2" FOR ACCESS	4
1.11	86154-81	ANCHOR, TOGGLE, 3/8"-1/2" WALL	4
1.13	880003-92	KEY, ALLEN, 2MM	1

for ITEM 1.9

△ REQUIRES ITEM (2.6)

80-RH
80-STP



To order spare parts add and/or replace as stated below:

SPD- prefix added to part number(s)

-ZZ replaced with finish code (see finish table)

-WW replaced with **-90** (light finish) or **-96** (dark finish)

Ex: **SPD-7-100463-PC** or **SPD-86030-96**

ITEM	PART NO	DESCRIPTION	QTY.
2.6	87320-80	O-RING Ø10.00 X 1.50 (NA) BUNA-N A70	1
2.7	11265-ZZ	HEX, BALL VALVE DECORATIVE	1
2.8	880367-97	WALL MOUNT, Ø37 W/2 BEVELS, ACC	1
2.9	86230-90	SETSCREW M4X0.7 X 10MM SCKT HD CONE PT SS	1
2.10	882811-99	SCREW, FH, PH SHEET METAL, 8 X 1-1/2" FOR ACCESS	2
2.11	86154-81	ANCHOR, TOGGLE, 3/8"-1/2" WALL	2
2.13	880003-92	KEY, ALLEN, 2MM	1

for ITEM 2.9